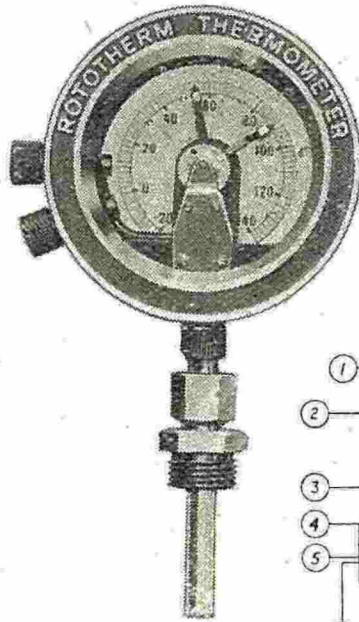


DIAL THERMOMETERS

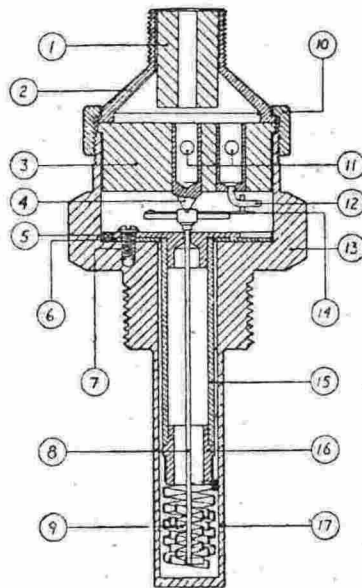


The British Rototherm Co., Ltd., specialises in the manufacture of bi-metallic, rigid stem, dial type thermometers for all purposes where temperatures between minus 60° F. and 1,000° F. are required. They can be supplied for Co-Axial, Vertical or Flange type mounting and can be fitted with adjustable electrical contacts to operate through relays where temperature control is required.

An interesting instrument is the British Rototherm Co.'s Rotostat (see diagram below) which, while not giving visual indication of temperature, has been designed to provide a useful adjustable thermostat for giving warning when dangerous rises in temperature occur. This warning may be given by the operation of lights or bells when the pre-adjusted setting point on the Rotostat is reached.



The British Rototherm Co. also manufacture Distance Reading Thermometers of the Vapour Pressure and Mercury types. If you are interested in temperature indication and control, your enquiries are invited.



- 1 Rubber Protection Sleeve.
- 2 Protection Cap.
- 3 Contact Block.
- 4 Pivot Contact Pin.
- 5 Setting Plate.
- 6 Dial.
- 7 Setting Screw.
- 8 System Shaft.
- 9 Rototherm Bi-metallic Element.
- 10 Knurled Ring.
- 11 Fixed Terminal Screw.
- 12 Fixed Contact.
- 13 Body of Rotostat.
- 14 Moving Contact.
- 15 Inner Stem.
- 16 Element Holder.
- 17 Outer Stem.

Rototherm

DIAL THERMOMETERS

THE BRITISH ROTOTHERM CO. LTD.

Merton Abbey, London, S.W.19. 'Phone LIBerty 3406
and at 87, St. Vincent Street, Glasgow, C.2.